

## Built-up Wood Beams

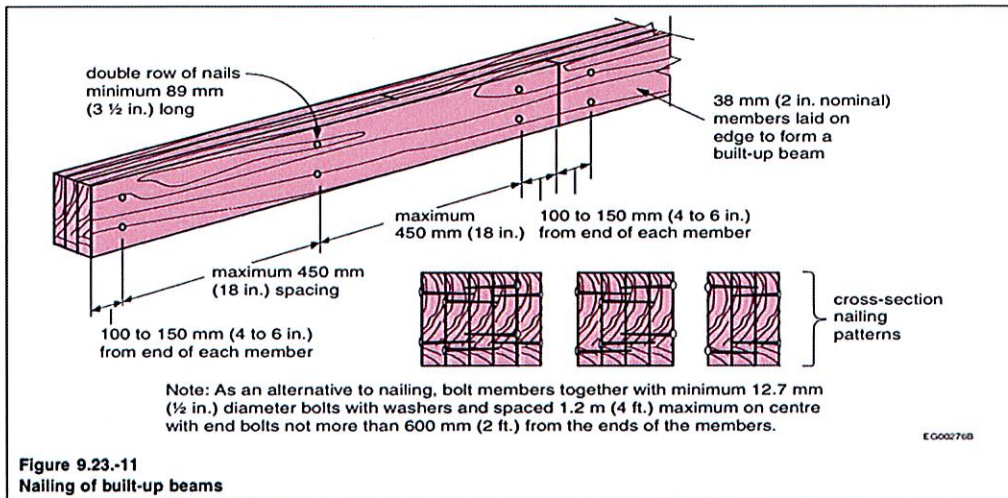


Figure 9.23-11  
Nailing of built-up beams

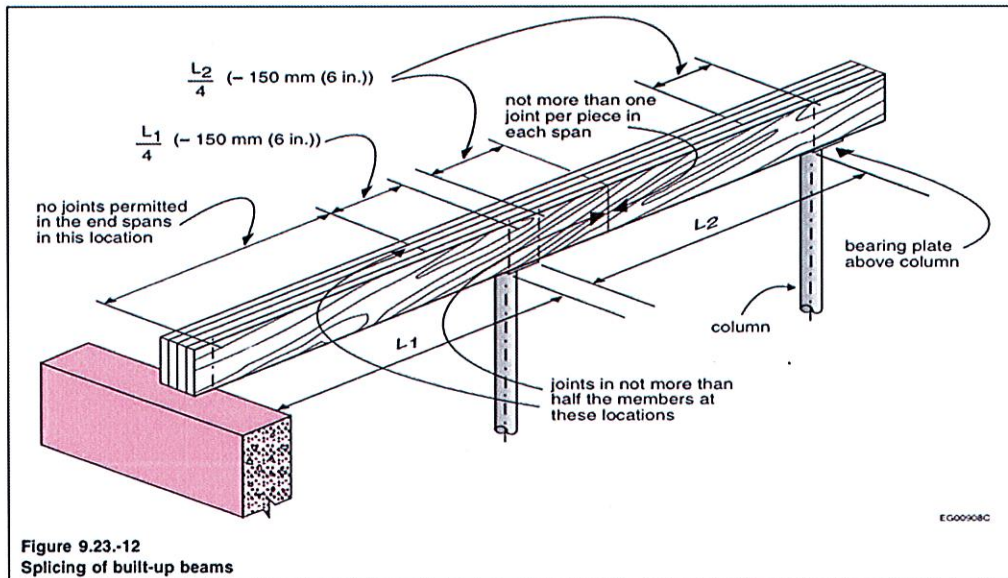


Figure 9.23-12  
Splicing of built-up beams